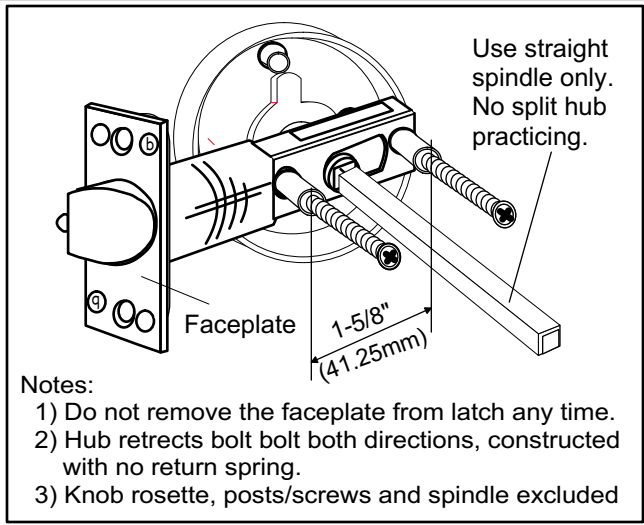
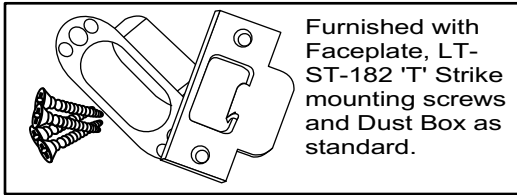
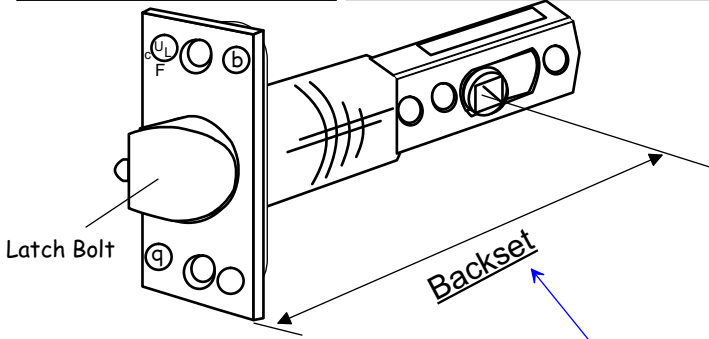


Baton Security Products, Inc

11521 Salinaz Avenue,
Garden Grove, California 92843, USA
Tel:(714) 590 6969 Fax:(714) 590 6960
Email address : Sales@batonlockusa.com

baton[®]
Security Products
www.batonlockusa.com

| | | |
|-----------------------|--|--------------------------------------|
| Form QF-LT 36C | <input type="checkbox"/> Quotation No: <input type="checkbox"/> Order No. | Custom backset Entrance Latch |
|-----------------------|--|--------------------------------------|



- Notes:
- 1) Do not remove the faceplate from latch any time.
 - 2) Hub retracts bolt both directions, constructed with no return spring.
 - 3) Knob rosette, posts/screws and spindle excluded

| Item No | Latch Function | Finish Latch Bolt | Finish Face plate/Strike | Backset | Quantity | Price / net per each | Amount |
|---------|------------------|-------------------|--------------------------|---------|----------|----------------------|--------|
| 1 | LT36C -KE8B-____ | Entrance | B/Satin Brass | | | | |
| 2 | LT36C -KE8B-____ | Entrance | B/Satin Brass | | | | |
| 3 | LT36C -KE8B-____ | Entrance | B/Satin Brass | | | | |
| 4 | LT36C -KE8B-____ | Entrance | B/Satin Brass | | | | |
| 5 | | | | | | | |
| 6 | | | | | | | |

Contact info: _____

Company _____

Add: _____

City _____ St _____ zip _____

Tel: _____ - _____ Fax: _____ - _____

Email: _____

Custom made products are constructed with the specifications requested. Baton warrants that the product will be functioning according to all the specifications and operating parameters of our original product line. No guarantee exists on product functions within specifications of others' make. **** **Deposit required for custom made items, no-return and no-refund******

Lead time : _____ working days